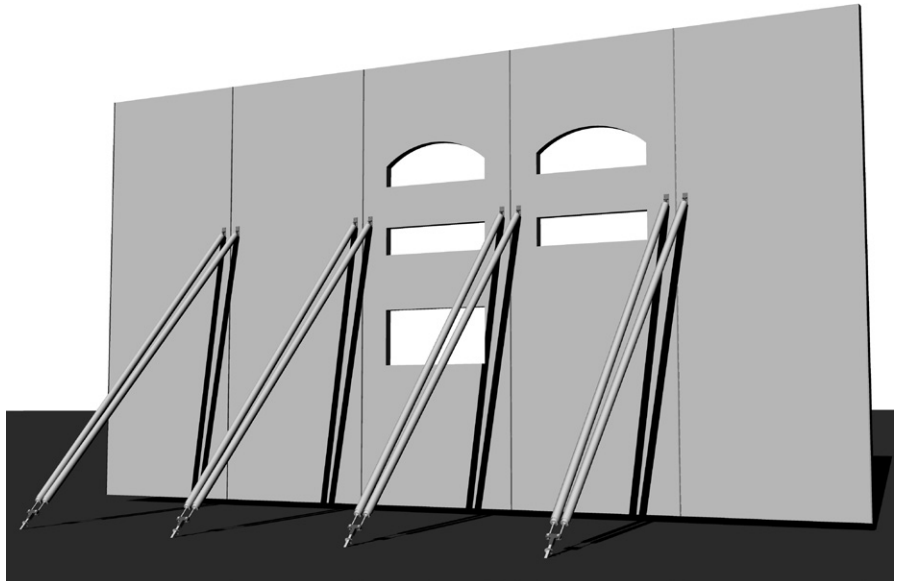


HGA Bracket

Load-rated device for quickly connecting tilt-up brace shoes to helical ground anchors

The HGA Bracket provides a simple and quick connection point between helical ground anchors and tilt-up braces. The new patent-pending design eliminates the need to remove, then reattach, pipe brace shoes. The pipe brace shoe bolts directly to the bracket plate and ground anchor bolts to the bracket sleeve.

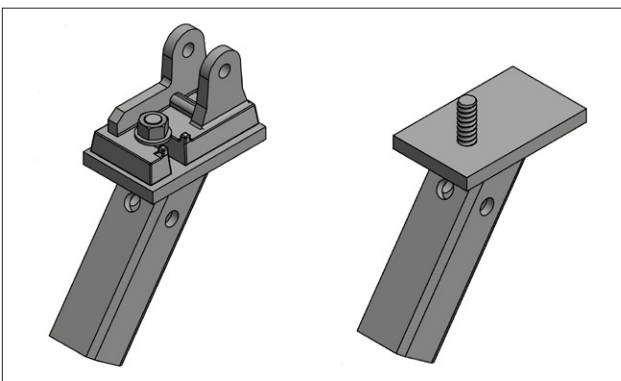
The HGA Bracket is available in a 2-Brace or 1-Brace configuration. Of course, the tilt-up panel engineering, bracing and anchoring requirements will determine which HGA Bracket is the most effective.



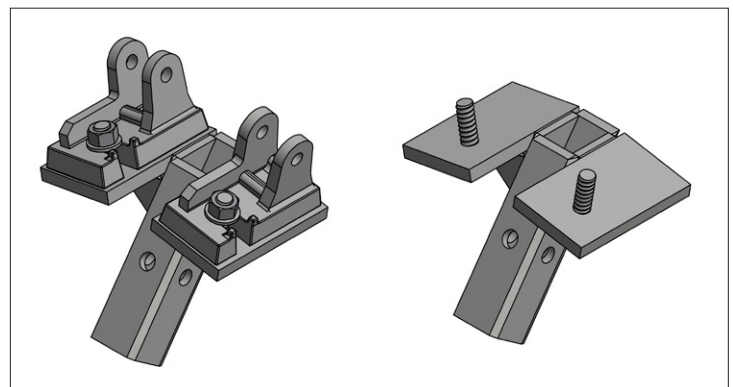
Note: The load-ratings of the helical ground anchor, tilt-up brace and HGA Bracket must be considered simultaneously for maximum allowable capacity and spacing.

Item	Description	SWL* (lbs)
SBHGA2BWP	HGA 2-Brace Bracket	20,000
SBHGA1BWP	HGA 1-Brace Bracket	10,000

* Safe Working Load (SWL) using 1.5:1 safety factor.



HGA 1-Brace Bracket pictured with and without typical pipe brace shoe.



HGA 2-Brace Bracket pictured with and without typical pipe brace shoe.