

# Slab-On-Grade Castle Chair

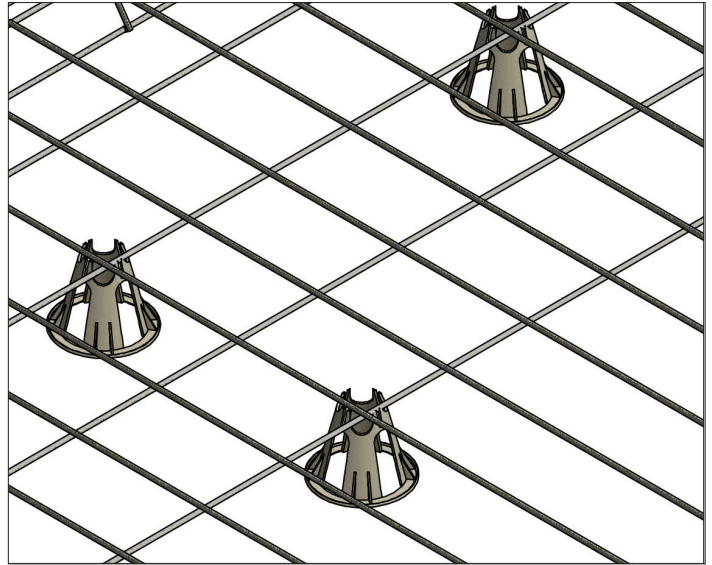
## Plastic supports for rebar and mesh positioning in concrete floors and pavements

The Slab-On-Grade Chair, sometimes called a castle chair or bar chair, supports rebar and mesh at the proper elevation during concrete placement.

The all-plastic, conical chair design will not corrode. Each chair accommodates two forming heights with just a quarter-turn, reducing inventory requirements and allowing for small grade variations.

The integrated base provides stability and support on soft surfaces, without damaging the moisture barrier, insulating foam or other membrane. The holes in the base can be used to fasten or tie chairs in position when necessary.

The Slab-On-Grade Chair meets the requirements to qualify as a CRSI Class 1 Bar Support and meets CRSI requirements per table 3-4.



*Plastic chairs support rebar and/or mesh, often in combination with dowel baskets, in concrete floors and pavements.*

Slab-On-Grade Chair			
Part No.	Description	Weight Per Box (lbs)	Box Qty
SBPCC1112	Slab-On-Grade Castle Chair 1:1-1/2"	36	500
SBPCC2212	Slab-On-Grade Castle Chair 2:2-1/2"	39	500
SBPCC3312	Slab-On-Grade Castle Chair 3:3-1/2"	37	200
SBPCC4412	Slab-On-Grade Castle Chair 4:4-1/2"	39	250



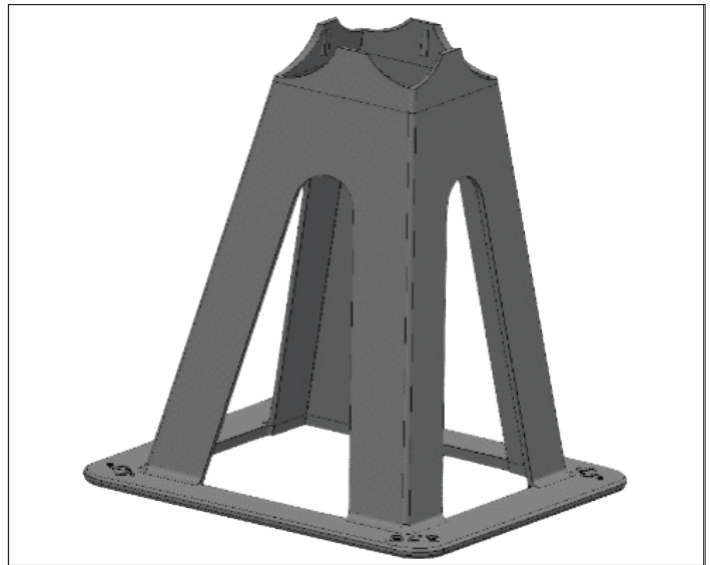
*Slab-On-Grade Chair*

# Slab-On-Grade Square Chair

## Plastic supports for rebar and mesh positioning in concrete floors and pavements

Each On Grade Square Concrete Chair can cover two cover heights; for example, 1-1/2" and 1-3/4" is a single chair; 2" and 2-1/4" is a single chair, on up to 6" and 6-1/4".

These plastic chairs are designed to carry heavy loads in demanding on-grade applications. They also have large spacing between the legs for easy tying to rebar and easy-to-read height markers.



*Plastic chairs support rebar and/or mesh, often in combination with dowel baskets, in concrete floors and pavements.*

On Grade Square Chair*				
Part No.	Description	Qty/Box	Boxes/Plt	Qty/Plt
SBOGRADE150	1-1/2" - 1-3/4" Plastic Square On Grade Chair	300	24	7,200
SBOGRADE200	2" - 2 1/4" Plastic Square On Grade Chair	400	16	6,400
SBOGRADE250	2 1/2" - 2 3/4" Plastic Square On Grade Chair	350	16	5,600
SBOGRADE300	3" - 3 1/4" Plastic Square On Grade Chair	288	16	4,608
SBOGRADE350	3 1/2" - 3 3/4" Plastic Square On Grade Chair	250	16	4,000
SBOGRADE400	4" - 4 1/4" Plastic Square On Grade Chair	200	16	3,200
SBOGRADE450	4 1/2" - 4 3/4" Plastic Square On Grade Chair	125	24	3,000
SBOGRADE500	5" - 5 1/4" Plastic Square On Grade Chair	100	24	2,400
SBOGRADE550	5 1/2" - 5 3/4" Plastic Square On Grade Chair	225	16	3,600
SBOGRADE600	6" - 6 1/4" Plastic Square On Grade Chair	200	16	3,200

\* Superior material and great load resistance

**SureBuilt**  
Concrete Forms & Accessories

2525 Armitage Ave  
Melrose Park, IL 60160  
708-493-9569  
[www.surebuilt-usa.com](http://www.surebuilt-usa.com)

