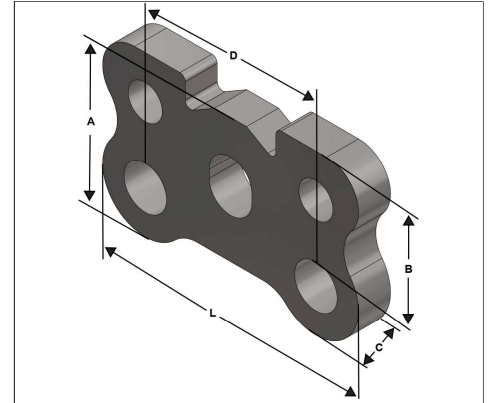


# Heavy Duty Sandwich Panel Erection Anchor

By delivering an even load distribution to both sides of a sandwich panel, the HD Sandwich Panel Erection Anchor transfers the highest loads on panel edge without shear bars.

The anchor is easy to install and the design absorbs shear loads without spalling concrete. Additional shear reinforcement can be added if necessary to increase the shear capacity.

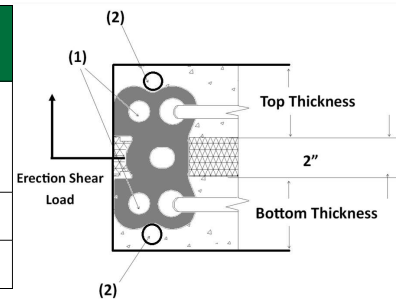
Given full embedment, reinforcement, and a minimum compressive strength of 4,500 psi, the 10T Sandwich Panel Erection Anchor will achieve a pullout strength equal to the ultimate strength when reinforced with two #6 x 3'-6" long bent bars.



Drop-Forged HD Sandwich Panel Erection Anchor							
Part No.	Tons	Clutch ID	Dimensions				
			L	A	B	C	D
SBDFSPEA346G	10T	8-10T	6"	3-3/4"	2-29/32"	3/4"	4"

\* Based on 4:1 Safety Factor

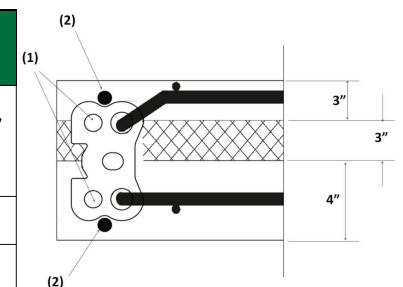
Heavy Duty Sandwich Panel Erection Anchor for 8" Thick Panels (3"x2"x3")				
Anchor Tonnage	Tension	Shear-Parallel to Thickness 2.66:1	Shear-Parallel to Thickness 4:1	Shear-Perpendicular to Thickness 4:1 SF
tons	lb	lb	lb	lb
10T	22,000	5,700	4,200	10,500



\* Based on 4:1 Safety Factor with reinforcement bar through anchor (1.)

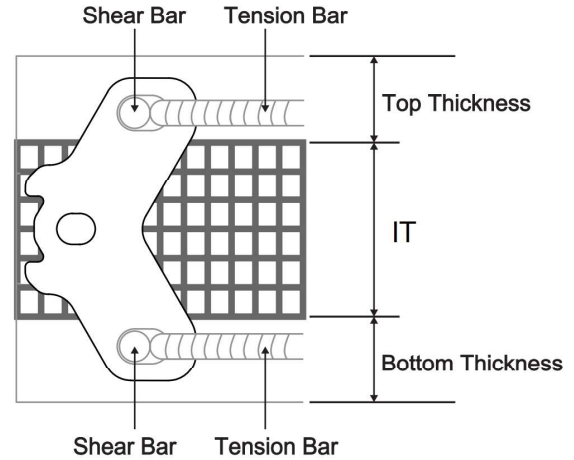
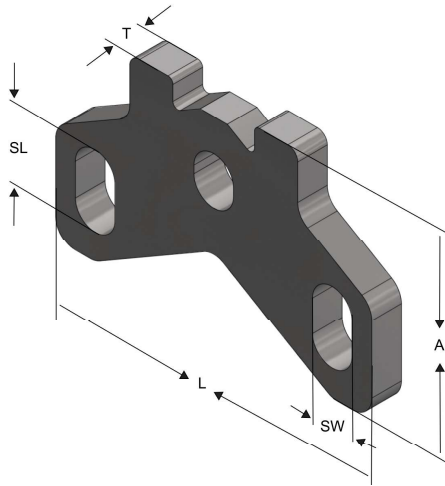
\*\* Additional shear bar can be placed on side of anchor to increase shear load. Shear bar #5 min 24" long.

Heavy Duty Sandwich Panel Erection Anchor for 10" Thick Panels (4"x3"x3")				
Anchor Tonnage	Tension	Shear-Parallel to Thickness 2.66:1	Shear-Parallel to Thickness 4:1	Shear-Perpendicular to Thickness 4:1 SF
tons	lb	lb	lb	lb
10T	22,000	7,200	4,800	10,500



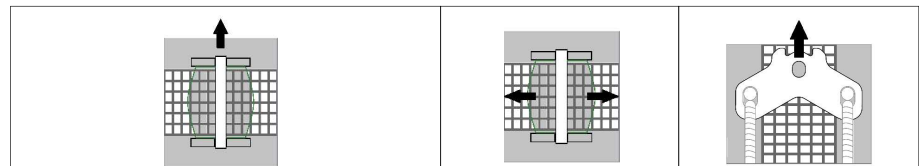
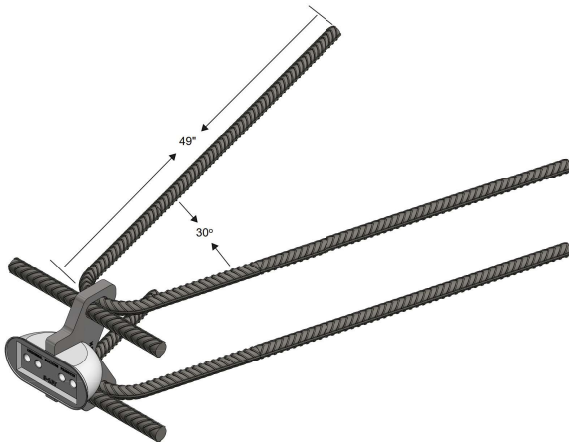
\* Based on 4:1 Safety Factor with reinforcement bar through anchor (1.)

\*\* Additional shear bar can be placed on side of anchor to increase shear load. Shear bar #5 min 24" long. (2.) (1.) and (2.) shear bar 10 ton #6 x 6", tension bar 10 ton #6 x 3'6".



### Drop-Forged Heavy Duty Sandwich Panel Erection Anchor

Part No.	Tons	Clutch ID	L	A	SL	SW	T	IT
SBDFSPEA347G	10T	8-10T	7"	4-13/16"	1-13/16"	1-1/8"	3/4"	3"
SBDFSPEA348G	10T	8-10T	8"	5"	1-13/16"	1-1/8"	3/4"	4"



### Drop-Forged HD Sandwich Panel Erection Anchor Anchor Capacity in Concrete

Part No.	Tons	Concrete PSI (lbs)	*Shear-Parallel to Thickness 2.66:1 SF (lbs)	*Shear-Parallel to Thickness 4:1 SF (lbs)	*Shear-Perpendicular to Thickness 4:1 SF (lbs)	**Tension 4:1 SF (lbs)
SBDFSPEA347G	10T	4,500	7,000	4,500	10,500	22,000
SBDFSPEA348G	10T	4,500	6,500	4,200	9,200	22,000

\* Shear based on Grade 60 rebar #6 x 6"

\*\* Tension based on Grade 60 rebar #6 x 49" at 30 degree bend  
Minimum cover on Tension Bar is 5/8"