

Column Base Connector

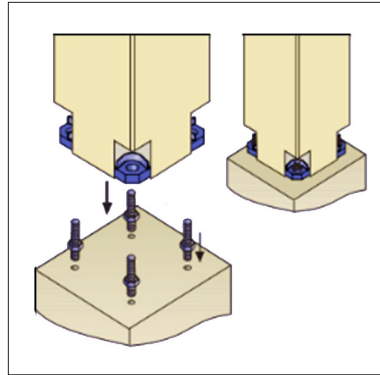
Quickly position and bolt pre-engineered precast concrete columns in place

The pre-engineered assembly provides a moment connection at column-to-base and column-to-column locations. This bolted connection eliminates the need for temporary bracing and saves time.

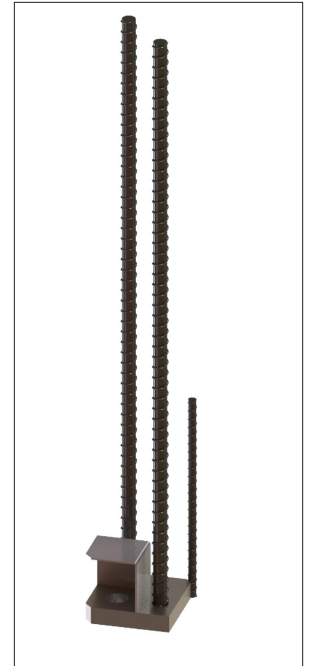
The Column Base Connector is designed for common anchor bolt sizes. An integrated box-out provides access at each bolt location. The plate and rebar are matched to load specifications.

Each Column Base Connector includes a steel plate (Grade 50) and rebar (A706) welded in accordance with American Welding Society (AWS) standards. An optional galvanized finish is also available.

Once the columns have been positioned and bolted, the column base must be grouted to provide bearing for the engineered load.



Site construction happens quickly when columns are immediately positioned and bolted into place.



Column Base Connector*				
Type	SBCBC34	SBCBC1	SBCBC114	SBCBC112
Base plate	3-1/2"x3-1/2"	4"x4"	5"x5"	7"x7"
Plate thickness	3/4"	1-1/4"	1-3/4"	2"
Hole size	1-1/8"	1-3/8"	1-3/4"	2"
Rebar size/length	#5 x33"	#6 x42"	#8 x52"	#9 x70"
Shear (lbs)	9,500	17,000	27,000	47,000
Tension** (lbs)	19,000	34,000	54,000	95,000
Anchor bolt size	3/4"x16"	1"x17"	1-1/4"x20"	1-1/2"x30"
Anchor bolt F1554	Grade 55	Grade 55	Grade 55	Grade 90

* Moment connection must be approved by the Engineer of Record (EOR).

** Tension based on 6,000 psi concrete.

SureBuilt
Concrete Forms & Accessories

840 South 25th Ave
Bellwood, IL 60104
708-493-9569
www.surebuilt-usa.com


MADE IN USA