

Post Shores

Load-tested for supporting plywood decks or reshoring existing structures

Don't take chances with 4x4 lumber shores of unknown and untested capacity. And don't waste time placing more 4x4 lumber shores than needed "just to be sure" when there is a better alternative.

Post Shores are specifically engineered and tested for shoring applications. Project layouts and spacings become more efficient when based on engineering data, rather than field guesswork.

The Standard Post Shore 350 ranges in height from 6'-6" to 11'-5" with a safe working load, depending on the extended length, from 6,445 to 4,400 lbs.

The Standard Post Shore 550 ranges in height from 11' to 18' with a safe working load, depending on the extended length, from 9,367 to 2,732 lbs.

The HD Post Shore 350 ranges in height from 7' to 11' with a safe working load, depending on the extended length, of up to 10,000 lbs.

The HD Post Shore 450 ranges in height from 8'6" to 14'6" with a safe working load, depending on the extended length, from 8,366 to 10,000 lbs.

Post Shores*		
Part No.	Description	Lbs/ea
SBPS350	** Standard Post Shore 350	51.0
SBPS550	Standard Post Shore 550	74.0
SBHDPS350	Heavy Duty Post Shore 350	51.0
SBHDPS450	Heavy Duty Post Shore 450	64.0
SBPSNP	Post Shore Nailing Plate	1.5

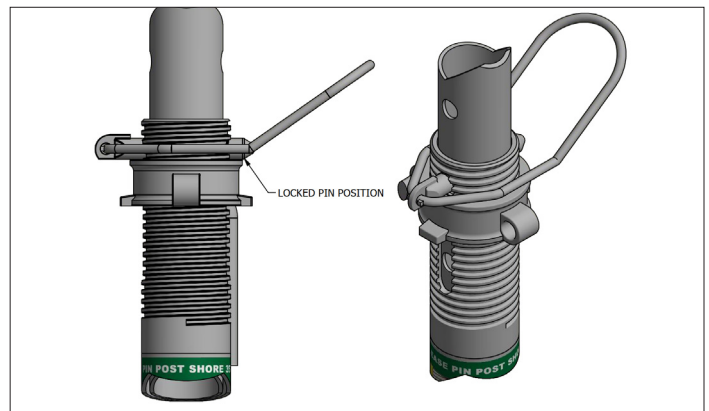
* Safe working load depends on length, see page 2 for capacities.

** Discontinued Post Shore



Post Shores can be used for supporting plywood decks or reshoring existing structures.

A telescoping tube provides rough height adjustment, in 3" increments, using a captured pin. A threaded collar provides fine height adjustment, in a 4" range, using a hinged handle. The Post Shore also includes a Quick-Release feature that relieves pressure so it can be quickly removed, relocated and reused.



Set the Post Shore height with a captured Quick-Release Pin and threaded collar. Locked pin position pictured.

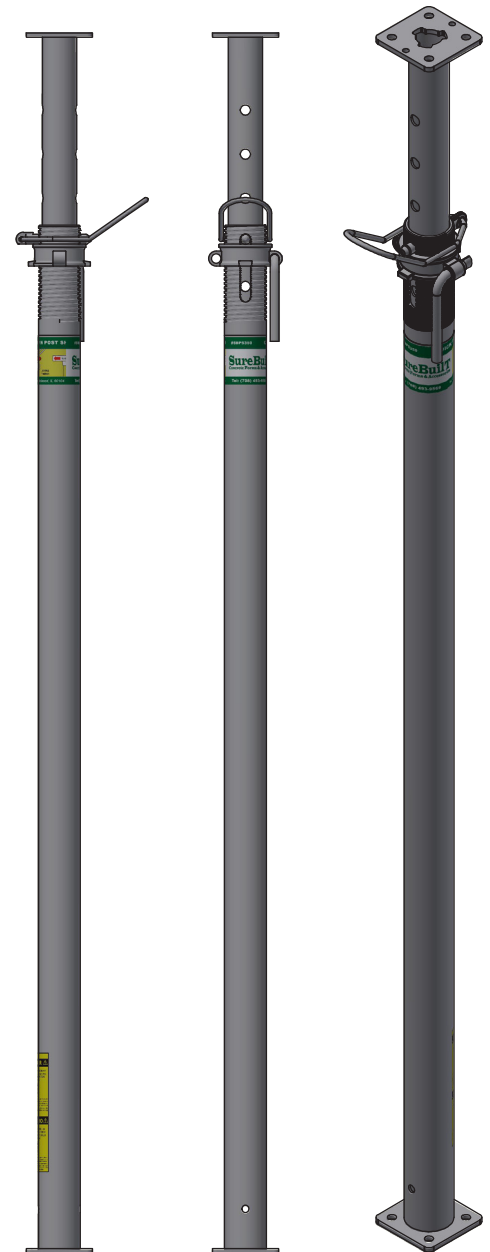
Standard Post Shore Load Ratings

** Standard Post Shore 350		Standard Post Shore 550	
Height	SWL* (lbs)	Height	SWL* (lbs)
7'	6,445	11'	8,176
8'	6,445	12'	6,903
9'	6,445	13'	5,815
10'	5,600	14'	4,880
11'	4,400	15'	4,160
		16'	3,575
		17'	3,133
		18'	2,732

* Safe Working Load at 3:1

** Discontinued Post Shore

* Safe Working Load at 3:1



Heavy Duty Post Shore Load Ratings

** HD Post Shore 350 Load		** HD Post Shore 450 Load	
Height	SWL* (lbs)	Height	SWL* (lbs)
7'	10,000	8'6"	10,000
9'	10,000	11'6"	10,000
11'	10,000	14'6"	8,366

* Safe Working Load at 3:1

** HD marking on Post Shore and green coating on top plate